

PGI Series Electric Parallel Gripper

PGI-140-80

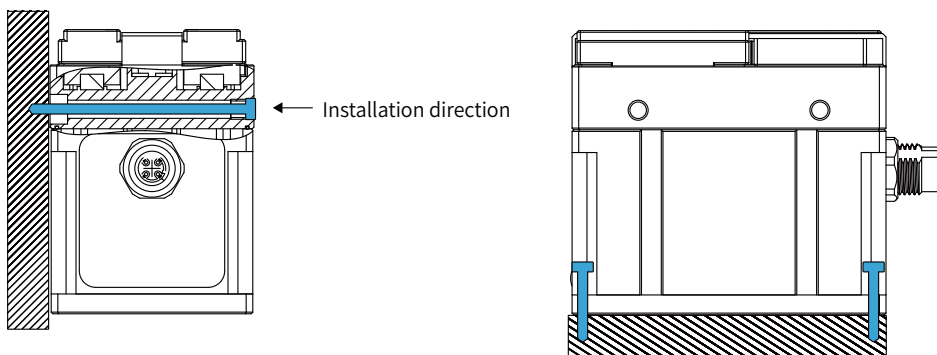


Based on the industrial requirements of ‘long stroke, high load, and high protection level’, DH-Robotics independently developed the PGI series of industrial electric parallel gripper. The PGI series is widely used in various industrial scenarios with positive feedback.



Installation

1. Front and rear installation: use front and rear screw holes for installation
2. Bottom installation: use bottom screw holes for installation



Product Features

● Long Stroke

Long stroke reach to 80 mm. With the customization fingertips, it can stably grasp the medium and large objects below 3kg and suitable for lots of industrial scenes.

● High Protection Level

The protection level of PGI-140-80 reaches to IP54, which is able to work under harsh environment with dust and liquid splash.

● High Load

The maximum single-sided gripping force of PGI-140-80 is 140 N, and the maximum recommended load is 3 kg, which can meet more diverse gripping needs.

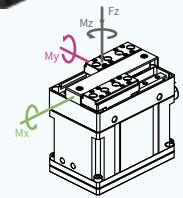
Application

In industrial scenarios, it is used for gripping, handling and assembly of heavy workpieces. Mostly used in new energy, auto parts, machining, 3C electronics and other industries.



Parameters

Product Parameter	
Gripping force (per jaw)	40~140 N
Stroke	80 mm
Recommended workpiece weight *	3 kg
Opening/Closing time	0.7 s/0.7 s
Repeat accuracy (position)	± 0.03 mm
Noise emission	< 50 dB
Weight	1 kg (exclude fingers)
Driving method	Precise planetary gears + Rack and pinion
Size	95 mm x 67.1 mm x 86 mm
Working Environment	
Communication interface	Standard: Modbus RTU (RS485), Digital I/O Optional: TCP/IP, USB2.0, CAN2.0A, PROFINET, EtherCAT
Rated voltage	24 V DC ± 10%
Rated current	0.5 A
Peak current	1.2 A
IP class	IP 54
Recommended environment	0~40°C, under 85% RH
Certification	CE, FCC, RoHS
<input checked="" type="checkbox"/> Build-in Controller	<input checked="" type="checkbox"/> Gripping Force Adjustable
<input checked="" type="checkbox"/> Position Adjustable	<input checked="" type="checkbox"/> Speed Adjustable
<input checked="" type="checkbox"/> Drop Detection	<input type="checkbox"/> Self-locking Mechanism



Vertical Maximum Force

Fz: 300 N

Allowable Moment

Mx: 7 N·m

My: 7 N·m

Mz: 7 N·m

*It depends on the shape of the grasping object, the material and friction of the contact surface, and the acceleration of the motion, if you have any questions, please contact us.

Technical Drawings

